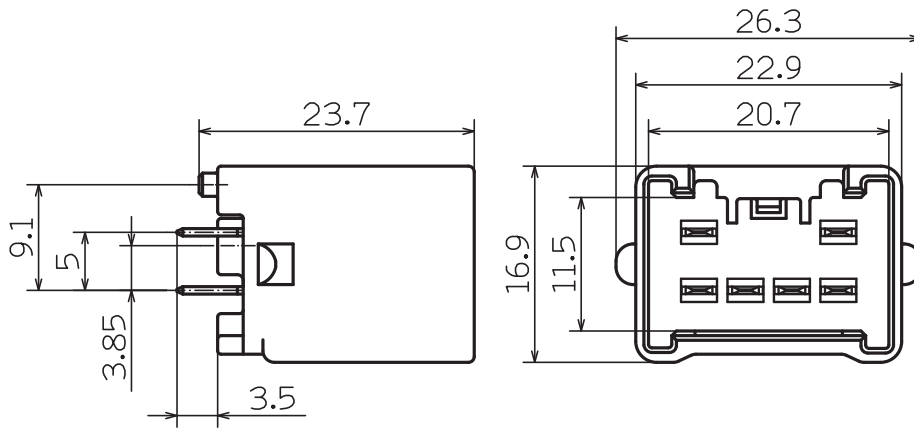


● Detailed dimension



● Recommended dimension of Circuit board

