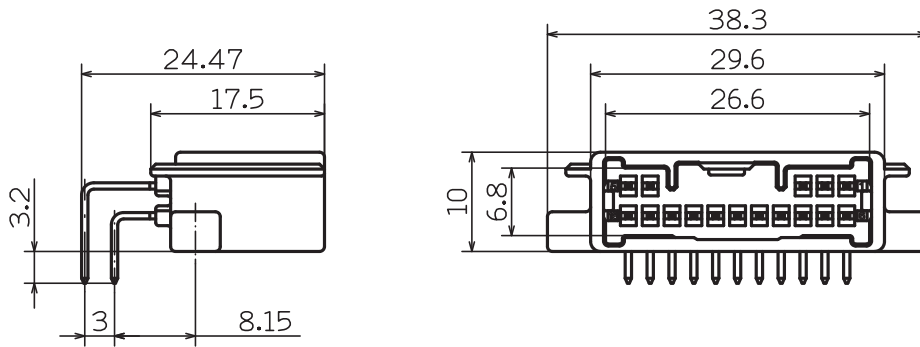


## ● Detailed dimension



## ● Recommended dimension of Circuit board

