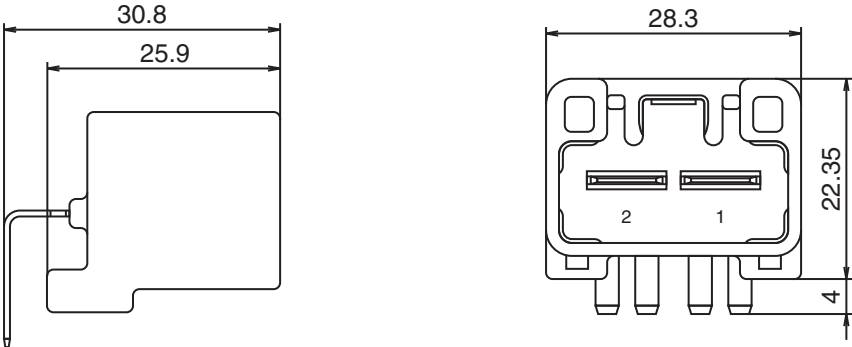


● Dimensional drawing



● Mounting drawing

