

A

B

C

D

E

F

G

H

A

B

C

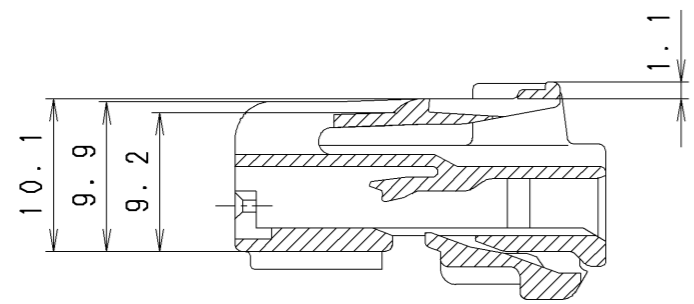
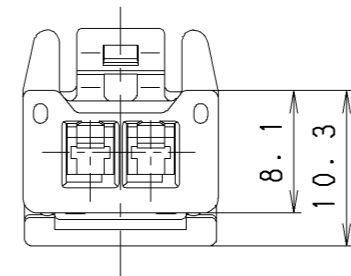
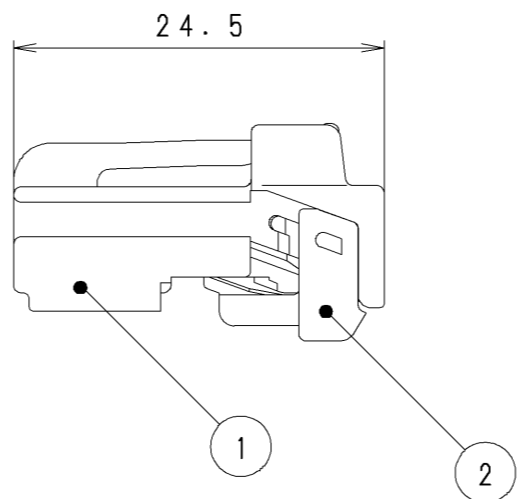
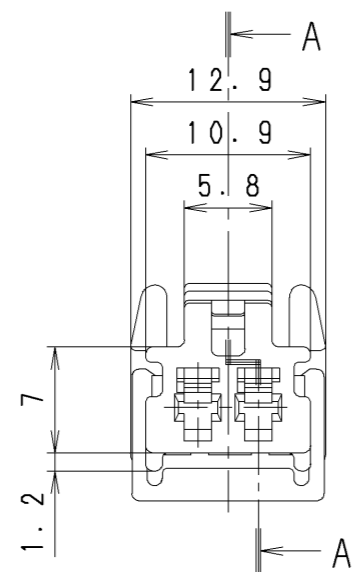
D

E

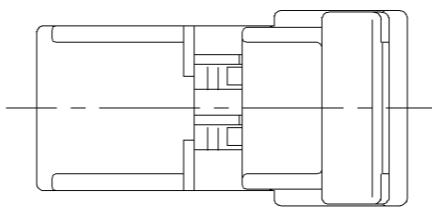
F

G

H



SECTION AA



	2-WAY HE090 FEMALE HOUSING ASSY				6098-5977	HE09 2FZ-OR
②	2-WAY HE090 FEMALE RETAINER	1	PBT	ORANGE		
①	2-WAY HE090 FEMALE HOUSING	1	PBT	ORANGE		
	2-WAY HE090 FEMALE HOUSING ASSY				6098-5832	HE09 2FZ-BR
②	2-WAY HE090 FEMALE RETAINER	1	PBT	BROWN		
①	2-WAY HE090 FEMALE HOUSING	1	PBT	BROWN		
	2-WAY HE090 FEMALE HOUSING ASSY				6098-4575	HE09 2FZ-L
②	2-WAY HE090 FEMALE RETAINER	1	PBT	BLUE		
①	2-WAY HE090 FEMALE HOUSING	1	PBT	BLUE		
	2-WAY HE090 FEMALE HOUSING ASSY				6098-4079	HE09 2FZ-Y
②	2-WAY HE090 FEMALE RETAINER	1	PBT	YELLOW		
①	2-WAY HE090 FEMALE HOUSING	1	PBT	YELLOW		
	2-WAY HE090 FEMALE HOUSING ASSY				6098-4070	HE09 2FZ-G
②	2-WAY HE090 FEMALE RETAINER	1	PBT	GREEN		
①	2-WAY HE090 FEMALE HOUSING	1	PBT	GREEN		
	2-WAY HE090 FEMALE HOUSING ASSY				6098-4069	HE09 2FZ-NA
②	2-WAY HE090 FEMALE RETAINER	1	PBT	NATURAL		
①	2-WAY HE090 FEMALE HOUSING	1	PBT	NATURAL		
符号 ISS.	名 DESCRIPTION	数量 QTY	材 質 MATERIAL	色 相 COLOR	部 品 番 号 PART NO.	登 録 名 称 PART NAME

材質 MATERIAL 上表 (SEE TABLE ABOVE)		板厚 THICKNESS 上表 (SEE TABLE ABOVE)		登録名称 PART NAME (SEE TABLE ABOVE)	
仕上 FINISH		尺度 SCALE 2/1		管理番号 REFERENCE NO. S 546136	
色相 COLOR 上表 (SEE TABLE ABOVE)		質量 MASS 1.9g		部品番号 PART NO. (SEE TABLE ABOVE)	
承認 APPROVED	検 図 CHECKED	設計 DESIGNED	製 図 DRAWN	名 称 DESCRIPTION (SEE TABLE ABOVE)	
2007.04.26 Y.FUKATSU	2007.04.24 M.FUJII	'03.03.04 S.FUJITA	'07.04.17 S.KIDA	Sumitomo Wiring Systems, Ltd. A2	
角度 ANGLE		三 角 法 THIRD ANGLE PROJECTION			