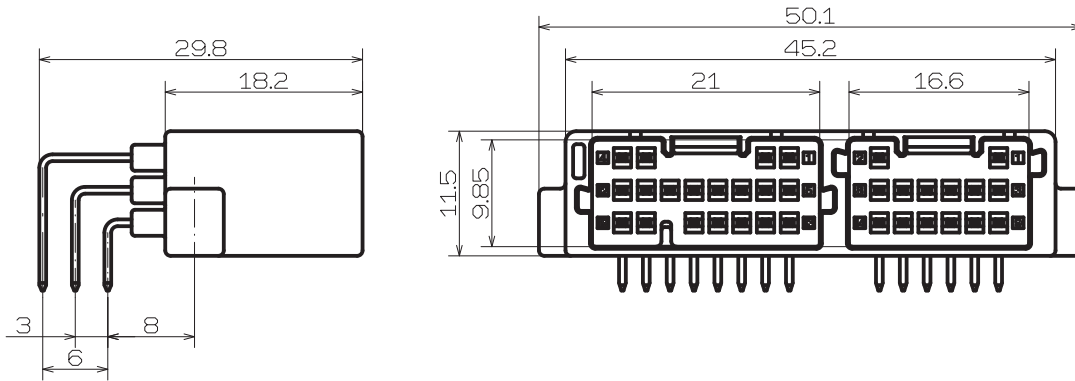


● Dimensional drawing



● Recommended dimension of Circuit board

